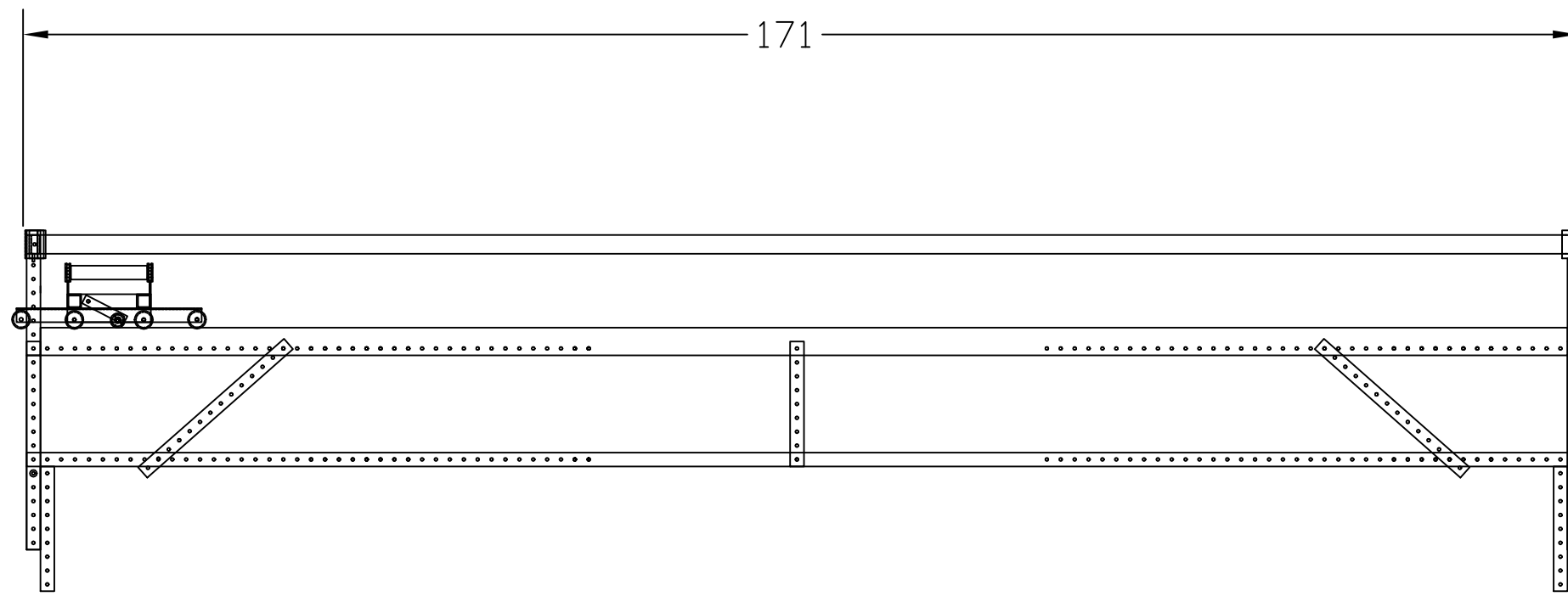
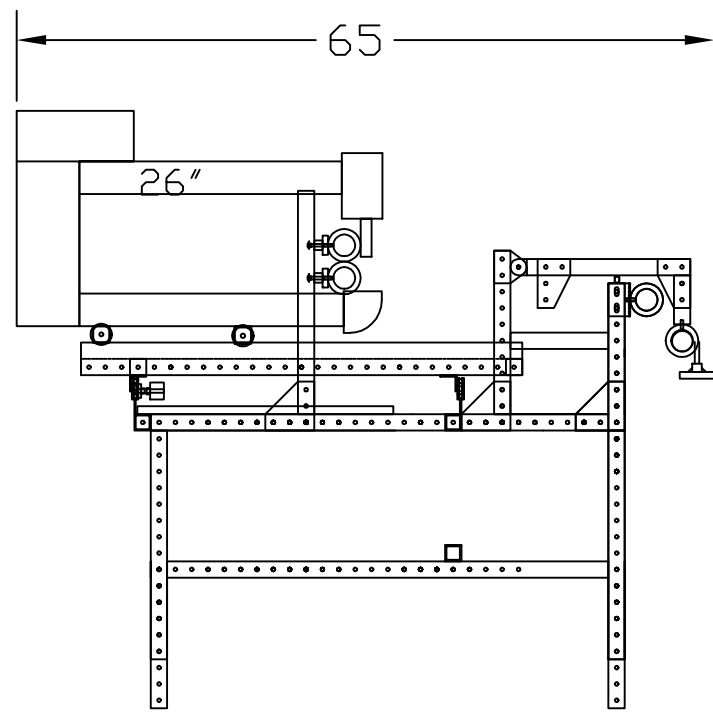
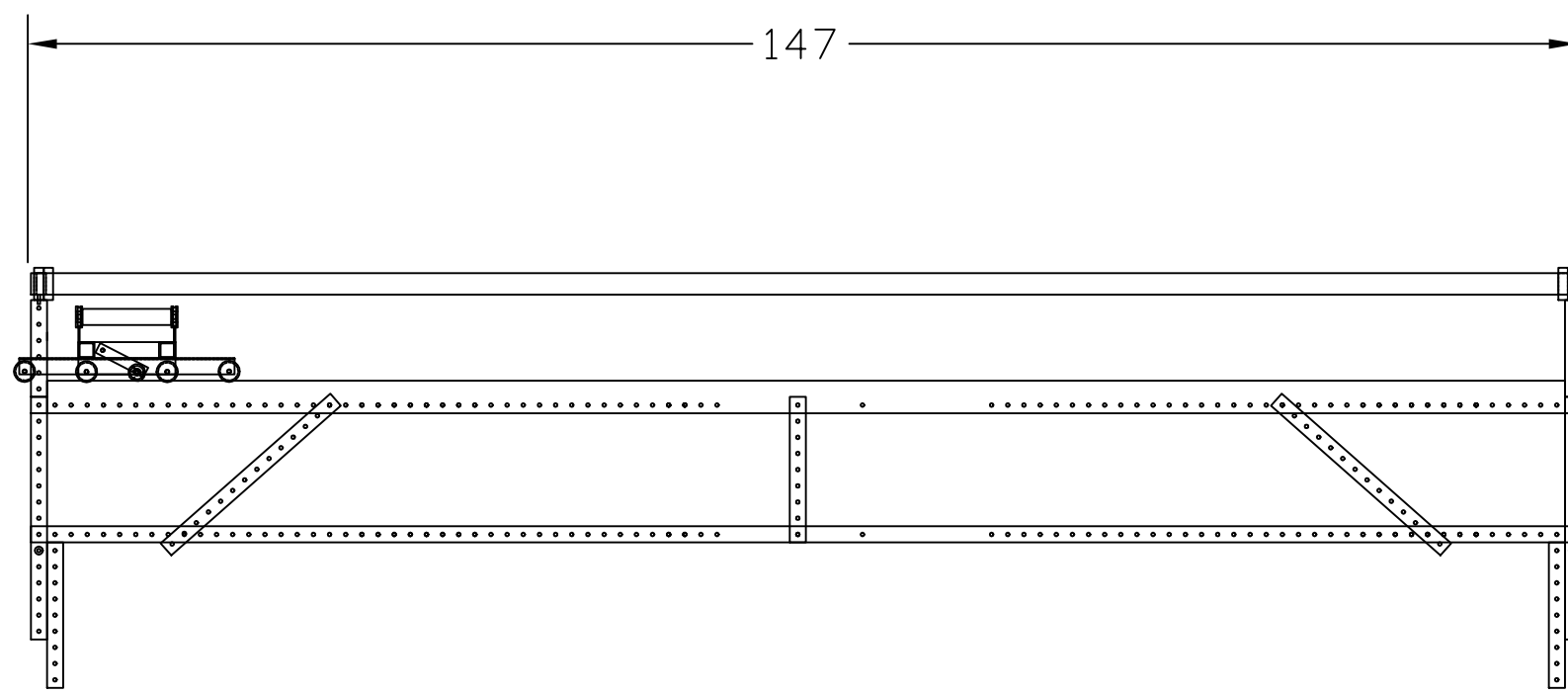
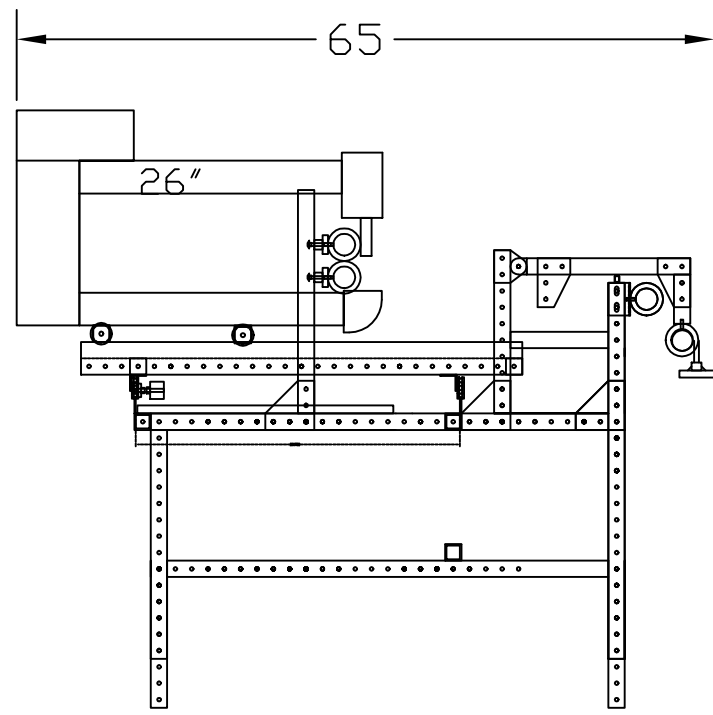


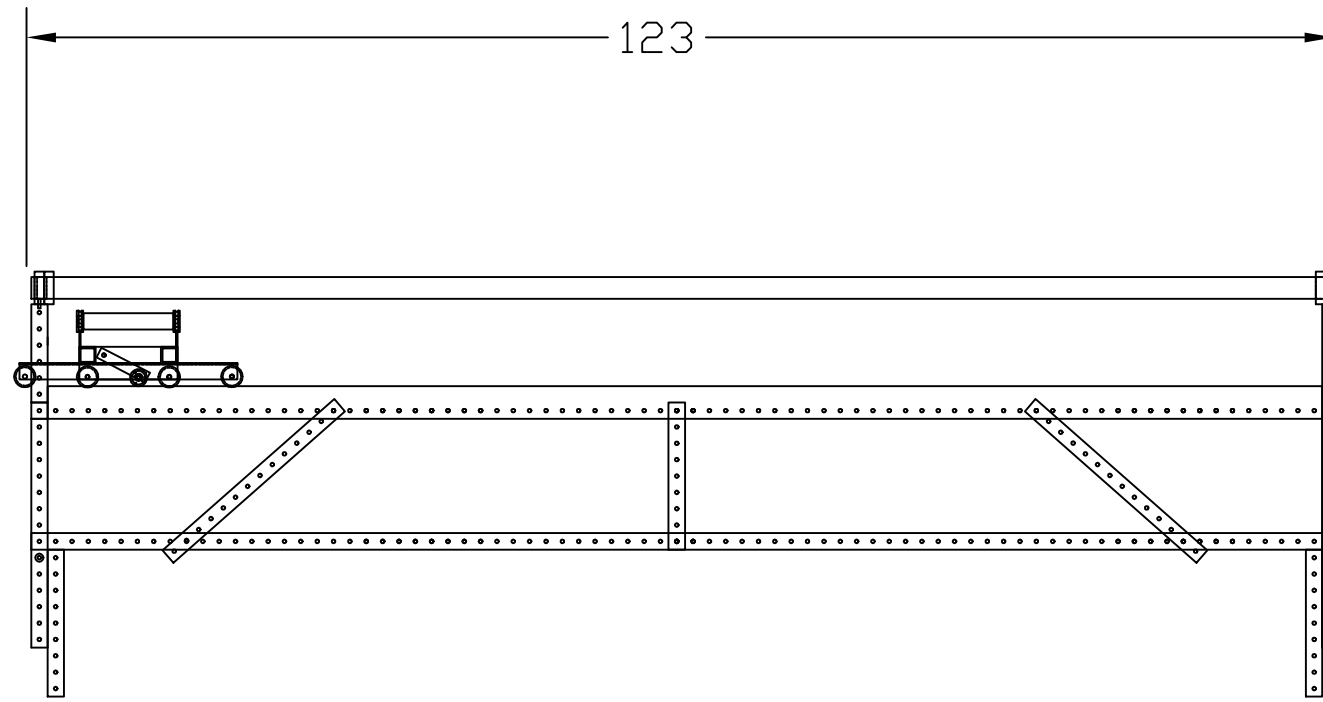
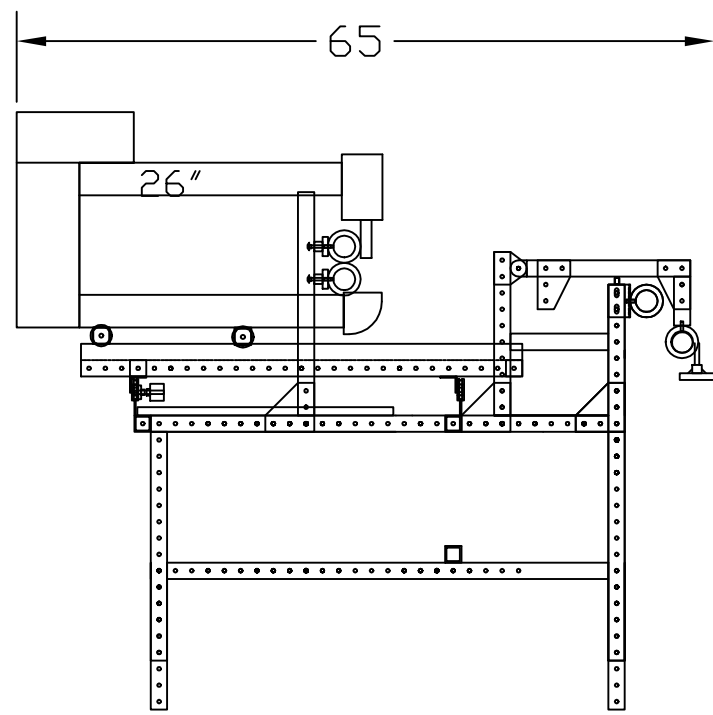
26" MACHINE W/ 14' TABLE



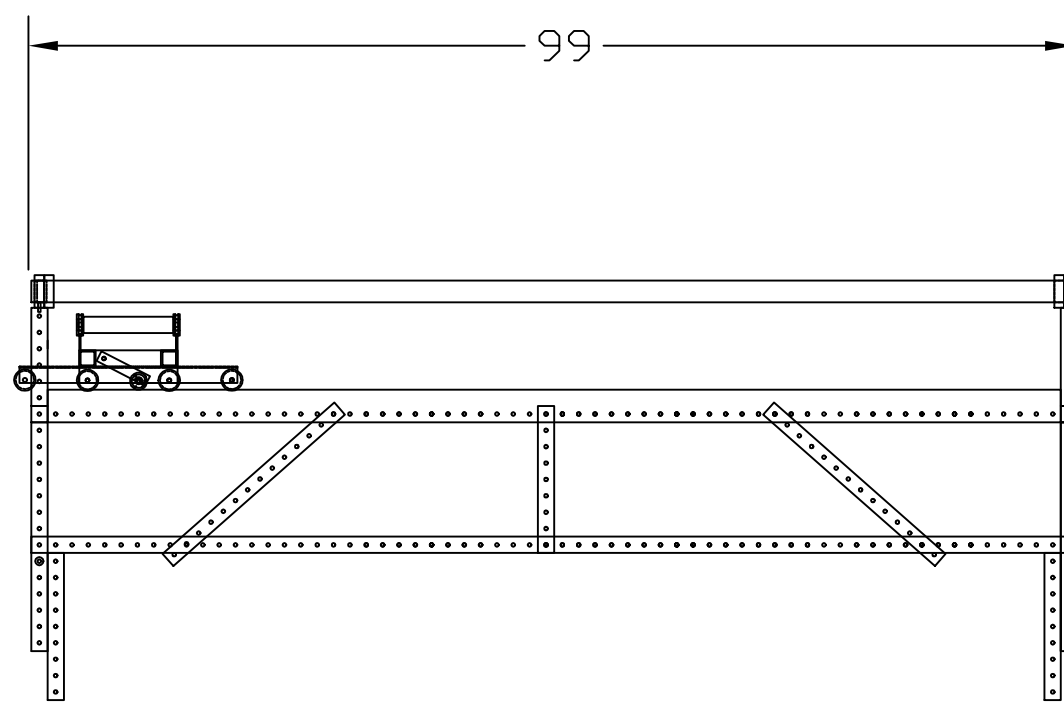
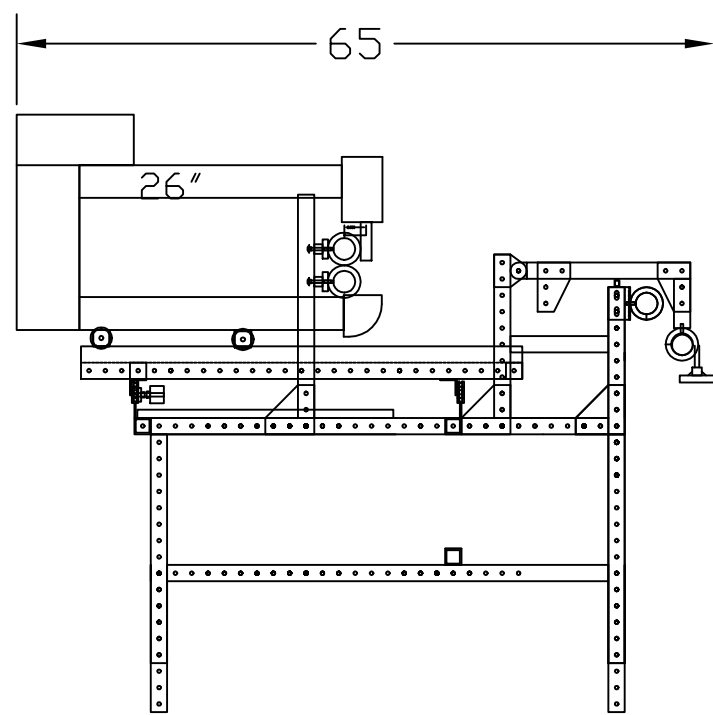
26" MACHINE W/ 12' TABLE



26" MACHINE W/ 10' TABLE



26" MACHINE W/ 8' TABLE



26" MACHINE W/ 6' TABLE

